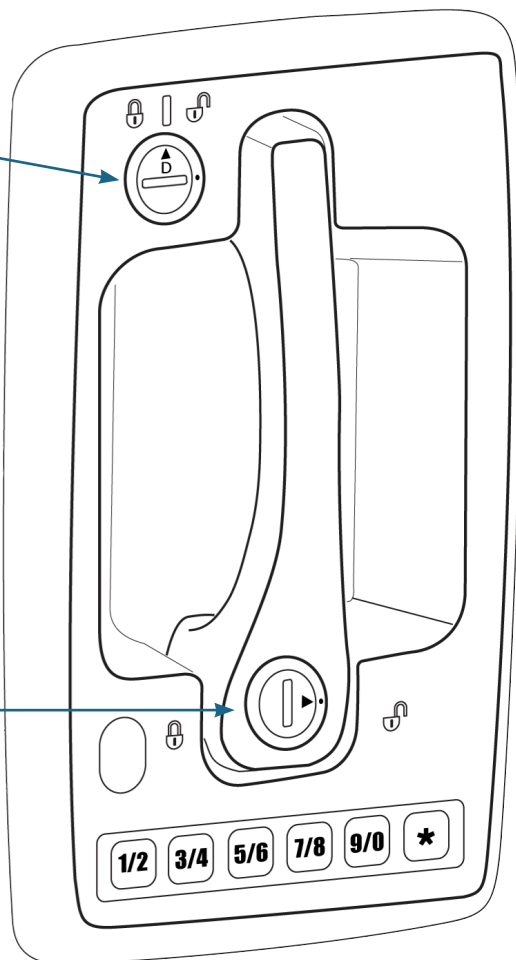




Global Link MRL Ultra Pro ES Bluetooth Smart Lock

Deadbolt Lock
(Cylinder shown in neutral position)
Note: Key will extract when cylinder is in the neutral position signified by the alignment of the cylinder face mark and the cylinder housing mark.

Handle Lock
(Cylinder shown in neutral position)
Note: Key will extract when cylinder is in the neutral position signified by the alignment of the cylinder face mark and the cylinder housing mark.



Beeps Summary

- 1 Short Beep Keypress
- 2 Beeps Factory default PIN or user PIN entered or power on successful (Ex. After changing batteries)
- 2 Beeps (after 3 second hold of star (*) key) Programming mode entered
- 2 Beeps (after 15 second hold of star (*) key) Factory reset PIN prompt
- 2 Ascending Beeps Unlocking successful
- 2 Descending Beeps Locking successful
- 3 Varied Beeps New code entered / Programming successful / Reset successful
- 4 Quick Beeps Incorrect PIN entered
- 4 Quick, Descending Beeps Low battery

Quick Start Guide - OPERATION

To lock the door (Keypad)

1. Press and hold the star (*) key for 1 second, and then release it. Two descending beeps indicate success.

To unlock the door (Keypad)

1. Press the (*) key to wake the keypad.
2. Enter the factory default PIN (printed on a label affixed to the inside handle of the lock) or the current customer PIN. Then press the star (*) key. Two ascending beeps indicate success. **Note:** If 4 quick beeps sound, the PIN was incorrect; enter the correct PIN. If an incorrect PIN is entered twice, the keypad goes to sleep; wake the keypad to try again.

To add or change the PIN

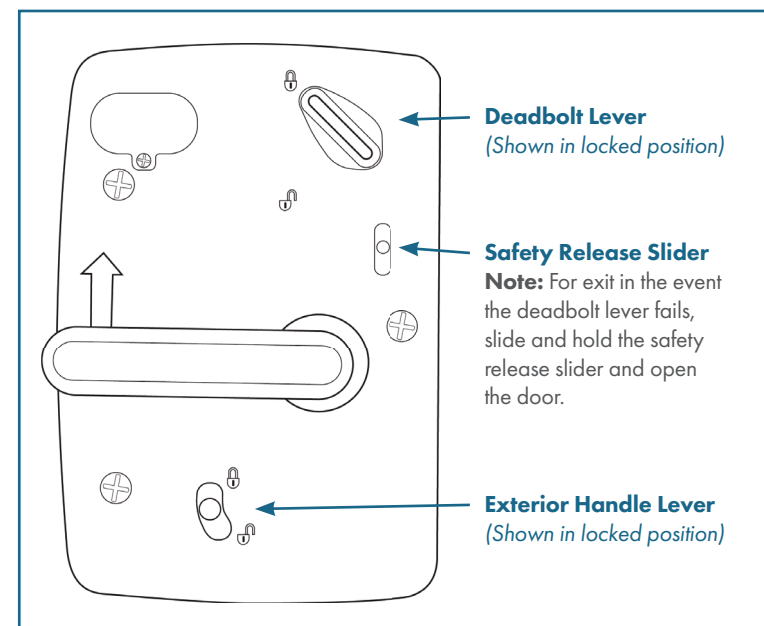
1. Unlock the door lock.
2. Press the (*) key to wake the keypad.
3. Press and hold the 9-0 key for 3 seconds until the lock beeps twice.
4. Enter the factory default PIN or the current user PIN. Then press the star (*) key. Two beeps indicate a correct PIN.
5. Enter the new PIN. Three varied beeps indicate a new PIN was entered.
6. Enter the new PIN again to confirm. Three varied beeps indicate success. If you enter an incorrect digit, press the star (*) key and re-enter the PIN.

To change the battery

1. Use a #1 Phillips screwdriver to loosen the captive battery compartment screw* on the interior of the lock. Do not completely remove the screw.
2. Lift off the battery compartment cover.
3. Slide out the battery holder.
4. Remove the old battery from the battery holder. **Note:** Dispose of the old batteries according to local regulations.
5. Insert two new batteries in the correct orientation (shown on the battery holder).
6. Slide the battery holder into the lock.
7. Position the battery compartment cover over the battery compartment, aligning the screw hole. Tighten the screw to secure the battery compartment cover. Two beeps indicate the lock has powered on.

To lock/unlock the door (From Inside)

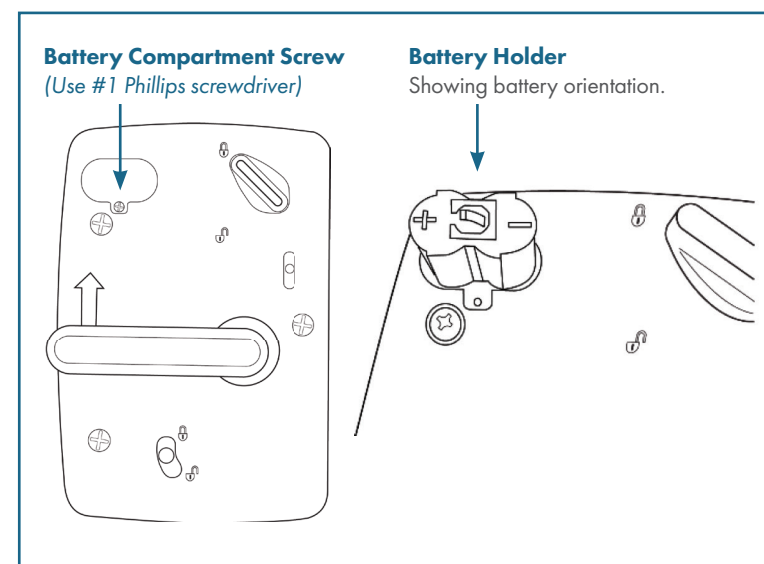
1. Rotate the red deadbolt lever to lock and unlock the door from the inside.
Note: The deadbolt lever locks the exterior handle when in the locked position.
2. Exterior handle lever may be thrown for extra security.
Note: The Global Link Master key operates the handle lever when used in the exterior handle lock.



Deadbolt Lever
(Shown in locked position)

Safety Release Slider
Note: For exit in the event the deadbolt lever fails, slide and hold the safety release slider and open the door.

Exterior Handle Lever
(Shown in locked position)

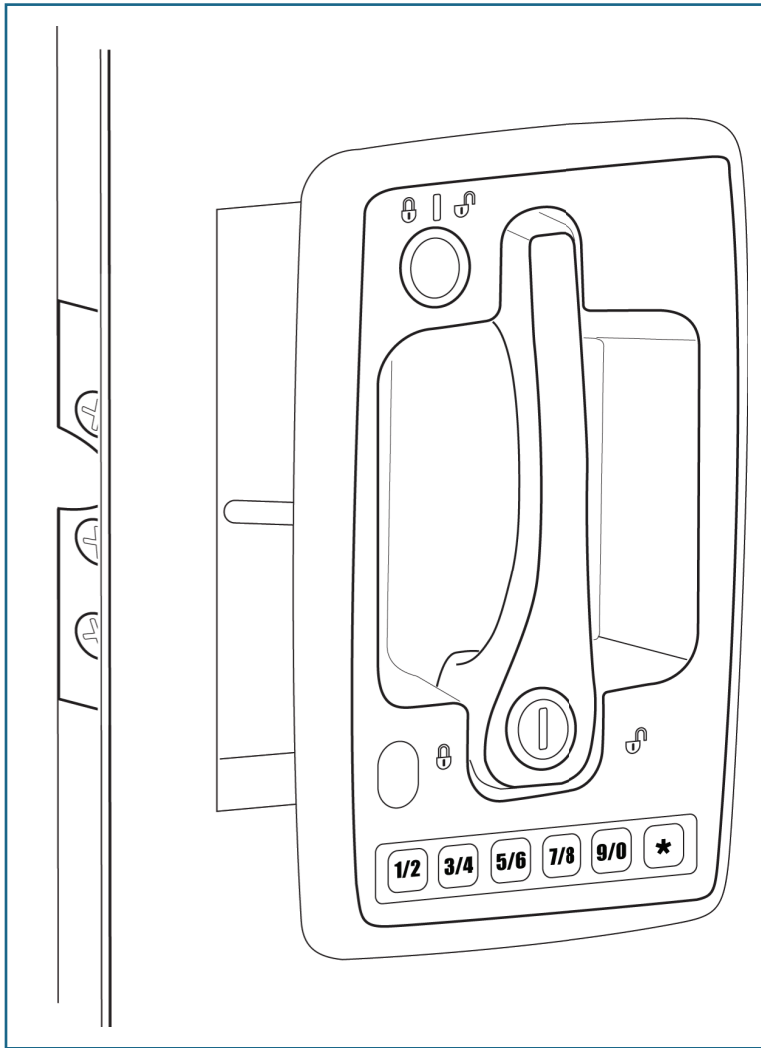


Battery Compartment Screw
(Use #1 Phillips screwdriver)

Battery Holder
Showing battery orientation.



Global Link MRL Ultra Pro ES Bluetooth Smart Lock



Factory default PIN: _____

Key code: _____

The factory default PIN cannot be changed.

Quick Start Guide - INSTALLATION

This Global Link Motorized Rotary Lock fits most standard Motorcoach doors (1-1/2" door thickness). These instructions assume that the door has been prepared for a rotary type lock. We strongly suggest that installation be performed by a certified RV technician to ensure proper fit, function, and operation and that you verify proper operation of the lock, and it's components work properly before using the vehicle.

To install the lock

1. Remove the existing lock.

2. Position the new exterior lock assembly (with keypad) on the outside of the door, ensuring that the central post is inserted through the opening in the rotary module

3. Position the safety release slider on the interior lock assembly in the down position (aligned with the marked line). While holding the red deadbolt lever in the locked position, position the interior lock

assembly on the door, ensuring:

- The deadbolt post is inserted in the red deadbolt lever so that the lever operates the deadbolt.
- When the interior handle is turned, the pocket in the rotary door latch is aligned with the lever actuator arm on the rotary module.
- The 3 screw posts on the interior housing align with the 3 screw bosses on the exterior housing.

4. Hand tighten the 3 screws to secure the lock housings. Do not overtighten

screws. Use a #2 Phillips screwdriver to tighten screws to 16 inch-pounds **in the following order:**

- 1 Central screw by handle
- 2 Upper screw by battery compartment
- 3 Lower screw below handle.

5. Ensure the handle operates the latch and the red deadbolt lever operates the deadbolt.

Screw Tightening Order

(Tighten to 16 inch-pounds; DO NOT OVERTIGHTEN)

